



Highly Accurate On-Line Infrared Non-Contact Pyrometers for Aluminum.

A5-EX-FO Portable: 170 to 3000°C (338 to 5432°F)

**A5-EX-FO
Portable**



AST A5-EX-FO is a specially designed IR Pyrometer for non-contact temperature measurement of aluminum.

AST A5-EX-FO is a multi-wavelength plug-and-play pyrometer that uses an application-specific database derived from years of experience in real applications.

AST A5-EX-FO uses unique algorithms to accurately calculate the actual temperature and emissivity of the surface.

AST A5-EX-FO can hold multiple databases so that a single instrument can easily switch between applications like Molten metal, extruded profiles, Rolled aluminum surfaces, Continuous casting, Aluminum billets, Slabs, etc.

It has a laser pointer that is aligned in line with the detector so that it ensures both laser and detector are aimed into the same spot. This helps precise aiming even in long distances.

AST A5-EX-FO offers Bluetooth communication so that it can communicate with Android smartphones or laptops for viewing the measured temperature and for adjusting the parameters/selection of database and data logging

Standard Scope of Supply

- Integrated laser pilot light
- 1.8-meter fiber optic
- Digital Interface RS-232
- Analog output 4-20mA
- Bluetooth
- 24VDC battery
- Carrying Bag
- Magnet and holder
- Calibration Certificate, PC Software & Operation Manual
- Connecting cable

Applications


- Aluminum Extrusion Profiles & Billets
- Aluminum Rolling
- Aluminum Casting
- Aluminum Forging
- Aluminum Continuous Casting

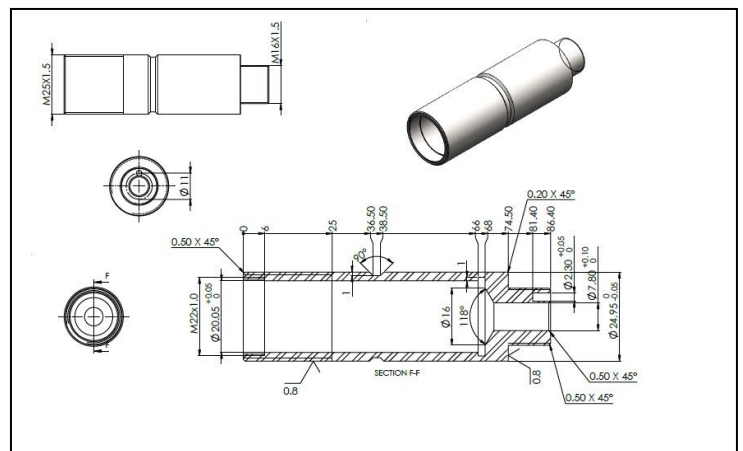
- Simple to use - No calibration required
- High accuracy - (1%) in real site conditions
- Capable of measuring targets with variable emissivity
- Measures through smoke, dust, water vapor, etc.
- Temperature ranges - see the table on the next page.
- Temperature range for measurement in front of a blackbody; when measuring a shiny body, the minimum temperature will be higher.
- Rugged design
- Wide range of built-in functions
- AST NET SW software for PC
- AST Pyrometer Android Application via Bluetooth



Technical Specifications

Specification	(Range 2.0-2.5mkm, InGaAs Extended)
Temperature Range (Analog sub-range adjustable)	170 - 980°C 338- 1790°F 450 -1500°C 842 - 2732°F 500-3000°C 932 - 5432°F
Spectral Range	2.1μ / 2.4μ
Photodetector Type	InGaAs Extended
Distance to Spot Size Ratio	See the table of spot sizes.
Protection Class	IP65
Response Time t90	Adjustable from 0.1 sec to 17 sec
Accuracy and Repeatability	0.25% ± 2°C (3.6°F) of measured value for the full range of emissivity
Sighting	Integrated Laser Pilot Light 650-670nm
Power Supply	24VDC
Analog Output	4-20 mA, 0-20 mA, 0-10V,
Digital Output	RS-232, RS-422, RS-485
Digital Display	P110
Sensor overall dimensions	215 x 110 x 105 mm / 8.46 x 4.33 x 4.13 in
Sensor weight	~2.0Kg / ~4.4lbs
Operating temperature range	0°C +50°C / 32°F +122°F
Storage temperature range	-20°C +70°C / -4°F +158°F

Optical Head	Working Distances (mm) / [in]	Spot Sizes (mm) / [in]
	90 / 3.6	1.5 / 0.059
	140 / 5.5	1.8 / 0.07
	200 / 7.9	3.0 / 0.11
	600 / 23.6	9.0 / 0.35
	4500 / 177.1	69.0 / 2.71

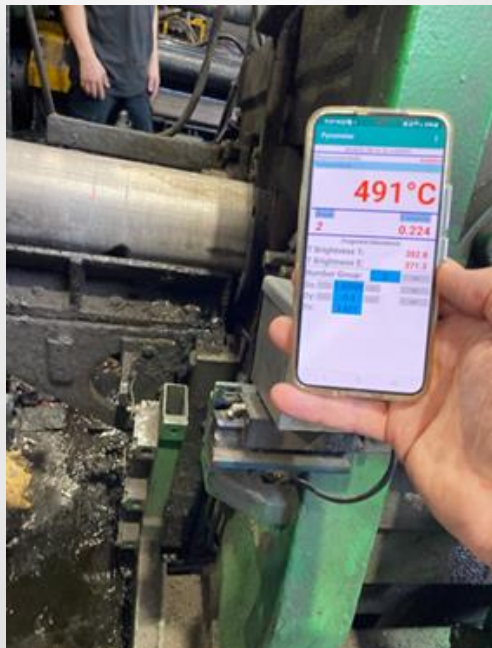
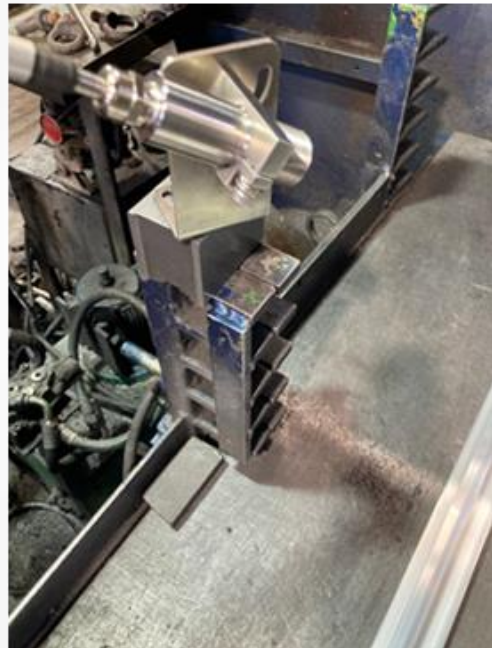


Pyrometer Drawing

We measure accurate temperature in extreme conditions

Accurate Sensors Technologies

Misgav Industrial Park, Misgav 2017400 Israel Ph.: +972-4-9990025
E-mail: sales@accuratesensors.com
www accuratesensors.com



We measure accurate temperature in extreme conditions