

Highly Accurate On-Line Infrared Non-Contact Pyrometers for Aluminum and other Non Ferrous Application

170°C to 550°C • 200°C to 650°C • 250°C to 870°C • 300°C to 1150°C

AST A4-EX

Materials with low or variable emissivity like Aluminium, Brass, Bronze, Copper and other non gray body materials are quite impossible to measure accurately using single or ratio wavelength Infrared Pyrometers.

AST A4-EX is a Multi-wavelength plug and play pyrometer use application specific data base derived from years of experience in real application. **AST A4-EX** use special algorithms to accurately calculate both the actual temperature and emissivity of the surface.

AST A4-EX can hold multiple data base so that single instrument can be easily switched between multiple application like Molten metal, Extruded profiles, Rolled aluminium surface, Continuous casting, Aluminum billets, Slabs etc.

It has a laser pointer which is aligned in line with the detector so that it ensures both laser and detector looks in to the same spot. This helps precise aiming even in long distances.

AST A4-EX offer Bluetooth communication so that it can communicate with Android smart phones or laptop for viewing the measured temperature and for adjusting the parameters / selection of data base and data logging.



Features

- Simple to use - No calibration required
- High accuracy - (1%) in real site conditions
- Capable of measuring targets with variable emissivity
- Measures through smoke, dust, water vapor etc
- Temperature range 170°C to 550°C; 200°C to 650°C; 250° to 870°C, 300 to 1150°C
- Rugged design
- Full range of accessories
- Wide range of built-in functions
- A4-SW Application software for PC
- A4-SW A Mobile Application software for Android via Bluetooth

Standard Scope of Supply

- Integrated laser pilot light
- Digital Interface RS-232
- Calibration certificate, PC Software & Operation Manual

Optional

- Mechanical and Electrical Accessories
- Analog Output : 0...20mA or 4....20mA or 0-10V or K type T/C
- Extra Cable Lengths
- RS-422, USB, Bluetooth,

Applications

- Aluminium Extrusion
 - Profiles
 - Billets
 - Aluminium Continuous Casting
- Aluminium Rolling
 - Aluminium Forging
 - Cooper & Brass Billets
 - Cooper & Brass Forging

Software

A4-SW

◆ Measurement Readout ◆ Parameterization ◆ Datalogging

A4-SW A Mobile

Technical Specifications

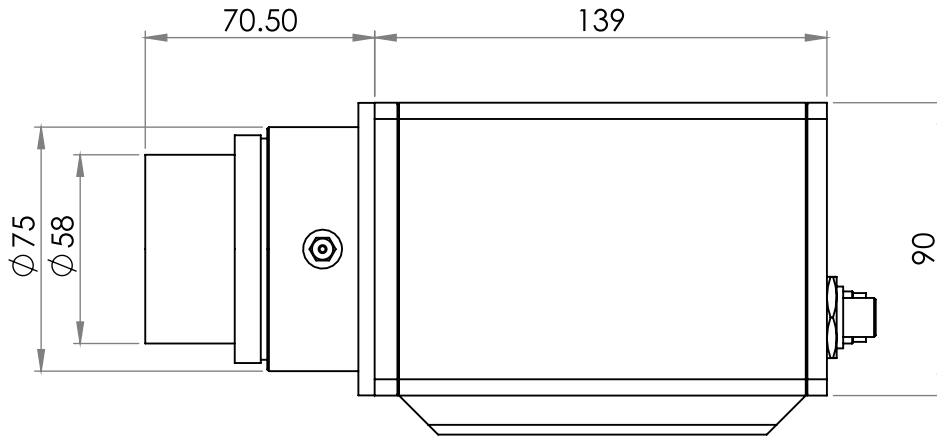
Model A4-EX	Specification
Emissivity	0.1 -1.0
Response Time	0.1 - 1.0 sec
Default Value	0.5 sec
Accuracy and Repeatability	±1%
Sighting	Integrated Laser Pilot Light
Power Supply	24VDC
Analog Output	4-20 mA, 0-20 mA, 0-10V, K Type T/C
Digital Output	RS-232, RS-422, USB, Bluetooth.
Digital Display	P110
Sensor overall dimensions	215 x 110 x 105.0 mm
Sensor weight	~2.0Kg
Operating temperature range	0°C +50°C
Storage temperature range	-20°C +70°C
Humidity	Unlimited for the sensor-head

Spot Sizes

Measuring Distances(mm)	A4-EX			
	Spot Sizes(mm) 170 - 550°C	Spot Sizes(mm) 200 - 650°C	Spot Sizes(mm) 250 - 870°C	Spot Sizes(mm) 300 - 1150°C
1000	10	10	10	5
1500	15	15	15	7.5
2000	20	20	20	10
3000	30	30	30	15
5000	50	50	50	25

We measure accurate temperature in extreme conditions

Pyrometer Drawing



Accessories

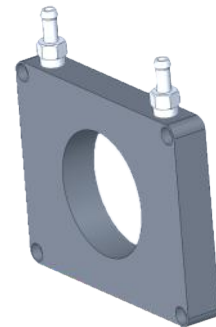
Adjustable Mounting
(Reference no:200-01)



Air Purge Tube Adapter
(Reference no: 200-02)



Water Cooling Plate
(Reference no: 200-06)



AS3000 Application Selector
(Reference no: 300-07)



Power Supply Unit
(Reference no: 300-09)



Air Purge Tube 200 mm
(Reference no: 200-03)



AST 
Accurate Sensors Technologies

Misgav Industrial Park, Misgav 2017400 Israel
Ph. : +972-4-9990025, Fax : +972-4-9990031
E-mail : info@accuratesensors.com
www.accuratesensors.com



We measure accurate temperature in extreme conditions